



# UIC 541-5 CONNECTOR SERIES

## ELECTROPNEUMATIC BRAKE COUPLER

### Technical Characteristics

#### Electrical

- In accordance with the UIC 541-5 Standard
- Configuration : 4 Ø7 + 2 Ø4 + 3 Ø3
- Nominal Rating : Ø7 : 63A - Ø4 : 32A - Ø3 : 20A
- Nominal Voltage : up to 400 V
- Test Voltage : 1500 V
- Cable Cross-section : Ø7 : 10 mm<sup>2</sup> - Ø4 : 6 mm<sup>2</sup> - Ø3 : 1 x 2,5 mm<sup>2</sup> + 2 x 0,75 mm<sup>2</sup>

#### Material

- Shell : Aluminum with black painting
- Insert : Halogen & Phosphorous free thermoplastic, UL94V0, Requirement 2 according to NF F 16-101 & 102

#### Mechanical

- Mating : 500 cycles
- Microswitch on receptacle to detect the plug (option)

#### Environmental

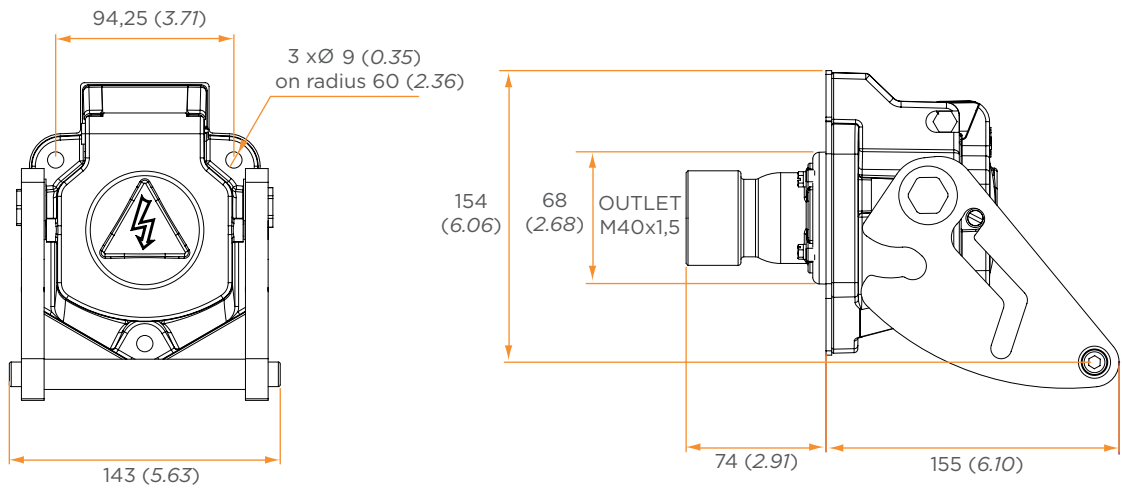
- Temperature Range : -40°C +100°C
- Protection Index : IP66
- Fluid Resistance : gas oil, mineral oil, acid, base

### Part Numbers

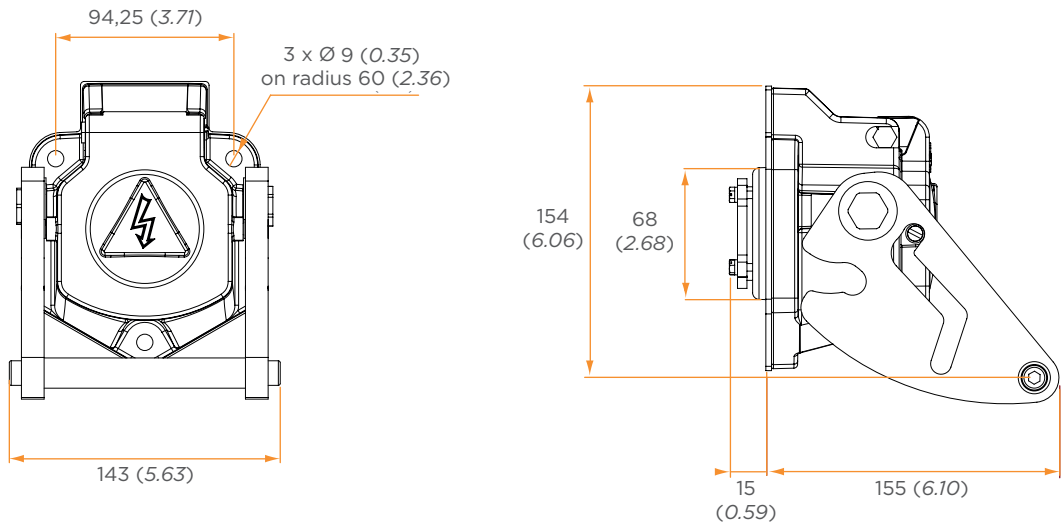
Description	Part Number
Receptacle (Male) without microswitch	<b>CAM1806-0001-A0005</b>
Receptacle (Male) with microswitch	<b>CAM1806-0001-00000</b>
Dummy Receptacle without insert	<b>CAM1806-0003-A0003</b>
Dummy Receptacle (Male) with insert & contact n°4	<b>CAM1806-0003-B0001</b>
Plug 25° Angled (Female)	<b>CAM1806-0002-B0002</b>

Contact us for other configurations  
(backshell, plating, strain relief, ...)

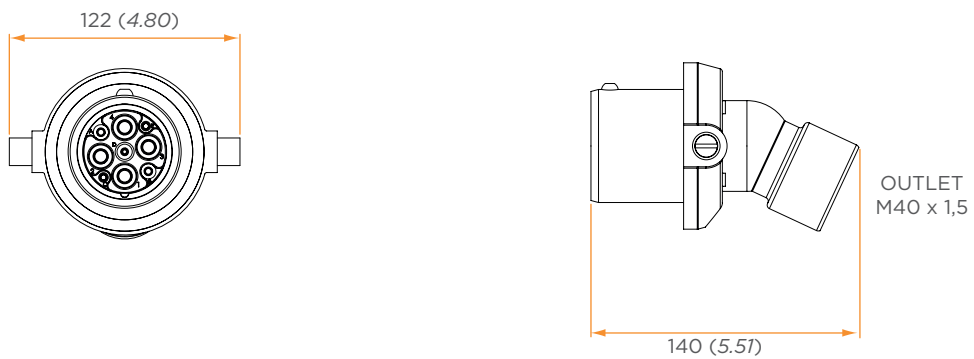
Receptacle (mm/inch)



Dummy Receptacle (mm/inch)



Plug 25° Angled (mm/inch)



te.com/rail

© 2017 TE Connectivity Ltd. family of companies. All Rights Reserved. TE Connectivity, TE connectivity (logo) and Every Connection Counts are trademarks. 1-1773909-5

While TE has made every reasonable effort to ensure the accuracy of the information in this brochure, TE does not guarantee that it is error-free, nor does TE make any other representation, warranty or guarantee that the information is accurate, correct, reliable or current. TE reserves the right to make any adjustments to the information contained herein at any time without notice. TE expressly disclaims all implied warranties regarding the information contained herein, including, but not limited to, any implied warranties of merchantability or fitness for a particular purpose. The dimensions in this catalog are for reference purposes only and are subject to change without notice. Specifications are subject to change without notice. Consult TE for the latest dimensions and design specifications